

# Kubota Engine Thailand (KET)

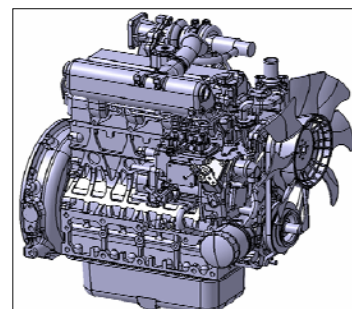
## 1. Outline

<b>Address</b>	No.360 Moo 3, T.Khao Hinson, A.Phanomsarakarm, Chachoengsao, 24120
<b>Number of employees</b>	392 (Dec, 2019)
<b>Site area</b>	75,856 m <sup>2</sup>
<b>Establishment day</b>	24-Feb-11
<b>ISO14001 certification date</b>	3-Jul-2015
<b>Site overview</b>	Manufacturing of vertical type diesel engines



## 2. Products

### Main products



Vertical type Diesel Engines

## 3. Environmental, Safety and Occupational Health Policy

KUBOTA Engine (Thailand) Co. Ltd (KET), a leading manufacturer of diesel engines for agricultural and industrial machinery recognizes the importance of environmental protection as well as the occupational health and safety of employees, local communities and society overall. The company, therefore, is committed to operate with the environment, safety and employees health in mind. Policies to support this operation as detailed in the following.

- KET is committed to prevent accidents and occupational diseases by improving working environments which present an unacceptable risk of harm and strictly complies with the company's safety regulations.
- KET is responsible to society by considering environmental impacts, which are caused by human activities, products including energy saving, as well as the reuse of resources, in its operations. In addition it will continue to protect the environment and prevent pollution.
- KET has encouraged and supported employees to create a workplace in accordance with the 5S principles to improve operation, safety, and equipment maintenance as well as using an appropriate protective equipment to reduce accidents and prevent occupational diseases.
- KET continues training activities to educate and create awareness on environmental, safety and occupational health to employees.
- KET will continue to comply with legal and regulatory requirements related to the environment, safety and occupational health.
- KET communicates to all employees about its environmental, safety and occupational health policy, including information on the implementation.
- KET communicates to interested parties about its environmental, safety and occupational health policy and accepts comments and complains.
- KET continues to review objectives, targets, and results of overall operation on environmental, safety and occupational health for better improvement.

## 4. Environmental performance data (Jan. 2019 to Dec. 2019)

<b>Used amount of energy</b>	Crude oil equivalent KL	2,195
<b>Used amount of water</b>	thousand m <sup>3</sup>	13
<b>CO<sub>2</sub> emission*</b>	tons CO <sub>2</sub> e	4,221

\*CO<sub>2</sub> emissions from energy sources.

Air Pollutant measurement results				
Main smoke and soot generation facilities		Heating furnaces		
	Unit	Control content	Control value	Maximum measured
SOx	ppm	Concentration control	950	5
NOx	ppm	Concentration control	200	29
Particulate	mg/m <sup>3</sup>	Concentration control	240	10

<b>Amount of discharge water</b>	thousand m <sup>3</sup>	No external water discharge	
<b>Amount of pollutant in discharge water</b>	COD	kg	-
	Nitrogen	kg	-
	Phosphorus	kg	-

Water pollutant measurement results				
		unit	Control value	Maximum measured
Treated water* (Recycled)	pH	-	5.5 ~ 9.0	6.9, 7.5
	BOD	mg/L	< 20	2
	COD	mg/L	<120	42
	Nitrogen	mg/L	< 100	2
	Phosphorus	mg/L	-	12
	Hexavalent chromium	mg/L	< 0.25	<0.10
	Lead	mg/L	< 0.2	<0.05
	COD, total emission control	kg/day	-	1.0
	Nitrogen, total emission control	kg/day	-	0.1
	Phosphorus, total emission control	kg/day	-	0.3
SS	mg/L	< 50	3.0	

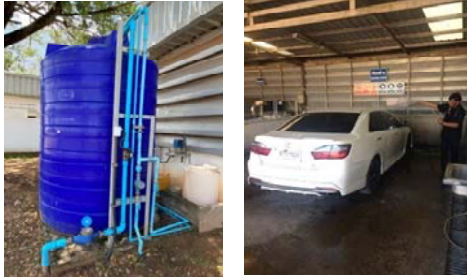
<b>Waste discharge</b>	tons	327
<b>Recycling ratio</b>	%	98.6%
<b>VOC emission</b>	tons	1

# Kubota Engine Thailand (KET)

## 5.Environmental Topics

### 1. Water reduction

1.1 KET change city water to RO reject water for rinsing manager car.



1.2 Reduce pressure water supply and change water saving tap.



### 2. Electrical reduction (Energy Just In Time Concept).

2.1 Reduce electricity of water pump 1 unit at QA Unten.



2.3 Change the fluorescent lamp to LED lamp at office area.



**Fluorescent lamp 40 W/lamp**

**LED lamp 14 W/lamp**



2.2 Install the "Air con Saver" to reduce air condition consumption.



2.4 Reduce electricity of OEM line DB-73/2 panel



# Kubota Engine Thailand (KET)

## 6. Environmental Communication

### 1. Green Industry award level 4

KET is given the Green Industry award level 4 from the government as the factory has a green culture.



### 2. Campaign : Discount coffee and tea costs when using the tumbler. [Campaign the environment month] On June 2020 at KET.

